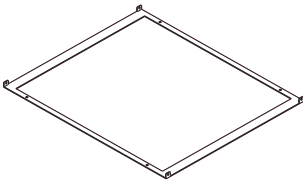
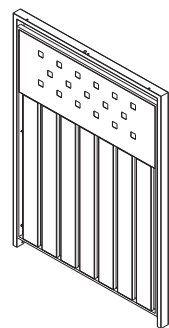
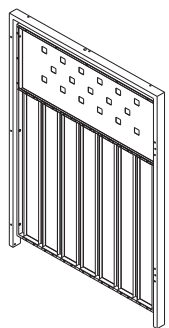
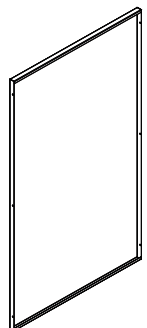
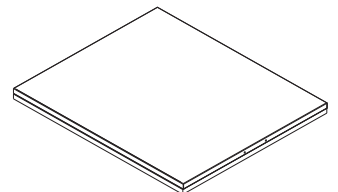
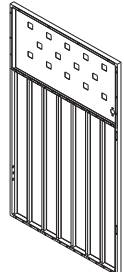
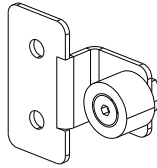
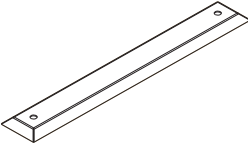
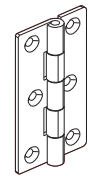
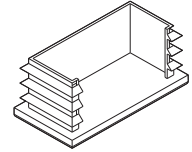
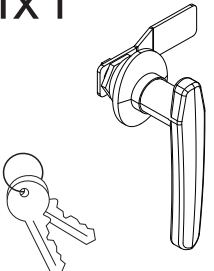
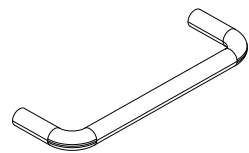
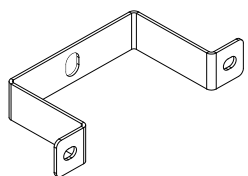

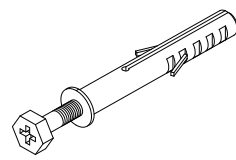
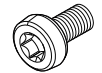
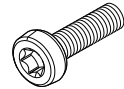
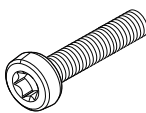
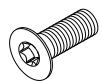
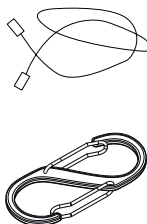
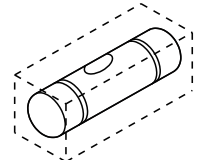
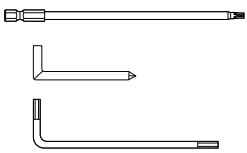
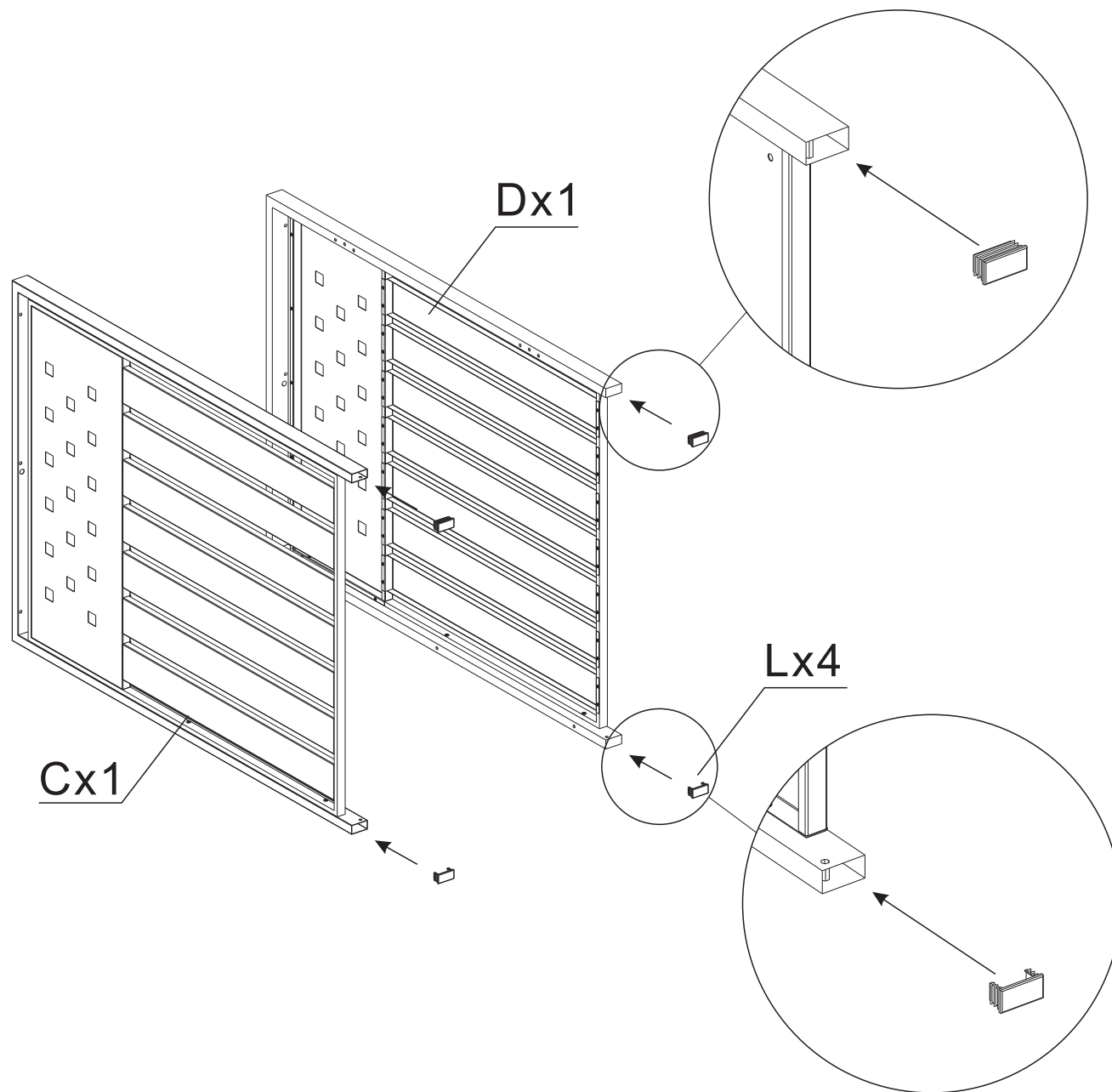
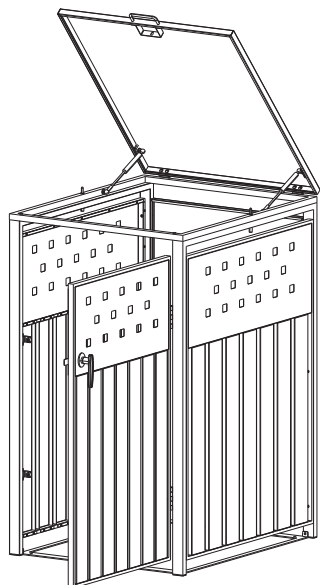
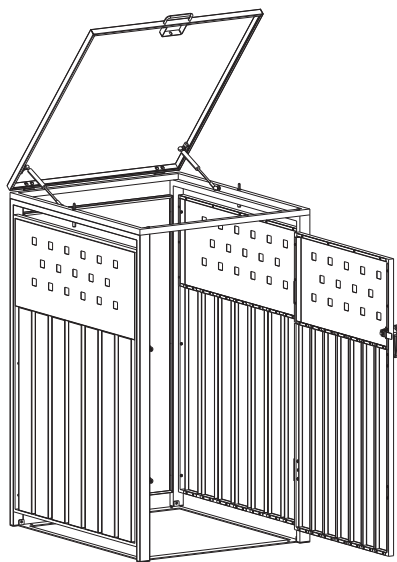
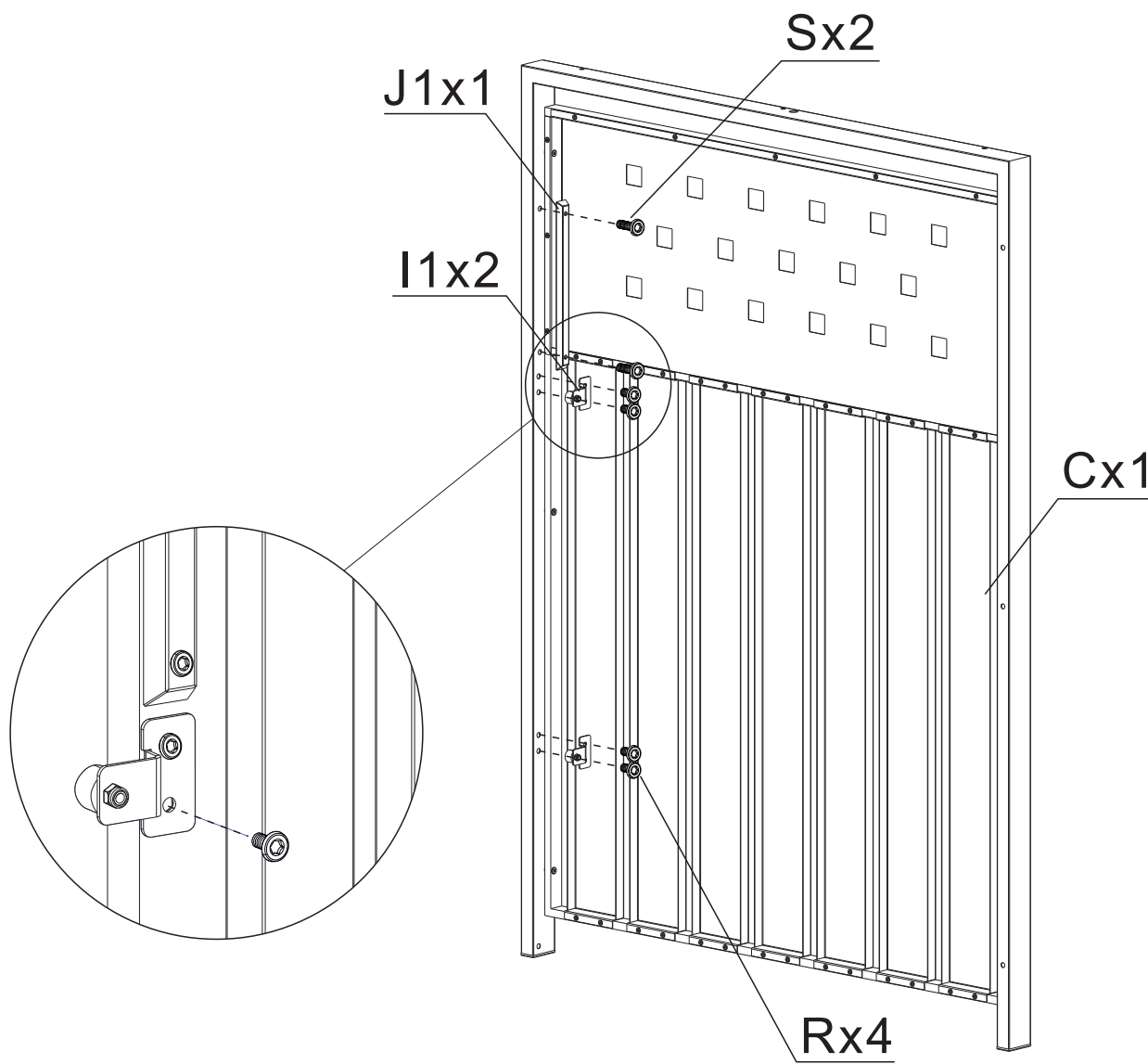
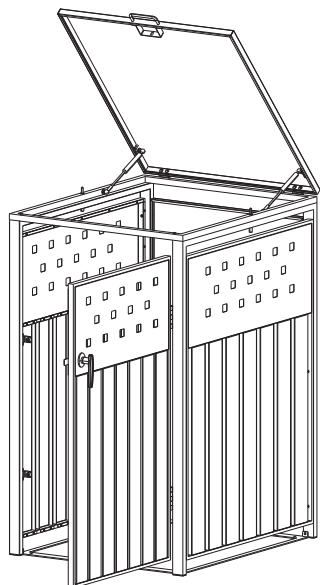
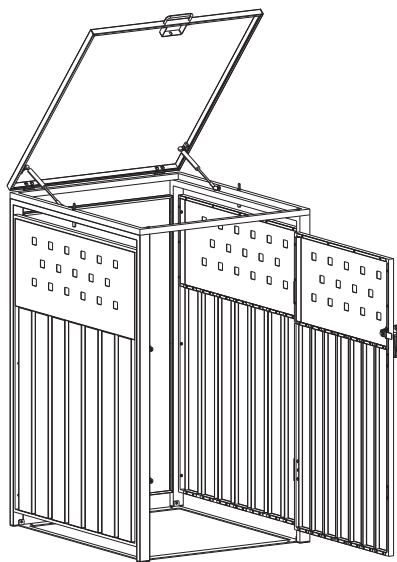


<p>A1x1</p> 	<p>Cx1</p> 	<p>Dx1</p> 	<p>Ex1</p> 	<p>F1x1</p> 		
<p>Hx1</p> 	<p>I1x2</p> 	<p>J1x1</p> 	<p>Kx2</p> 	<p>Lx4</p> 		
<p>Mx1</p> 	<p>Nx1</p> 	<p>Ox1</p> 	<p>Px2</p> 	<p>Qx4</p> 	<p>Rx10</p>  <p>M4x10mm</p>	<p>Sx8</p>  <p>M4x20mm</p>
<p>Tx6</p>  <p>M4x30mm</p>	<p>Ux16</p>  <p>M4x14mm</p>	<p>Vx1</p> 	<p>Wx1</p> 	<p>Xx1</p> 		

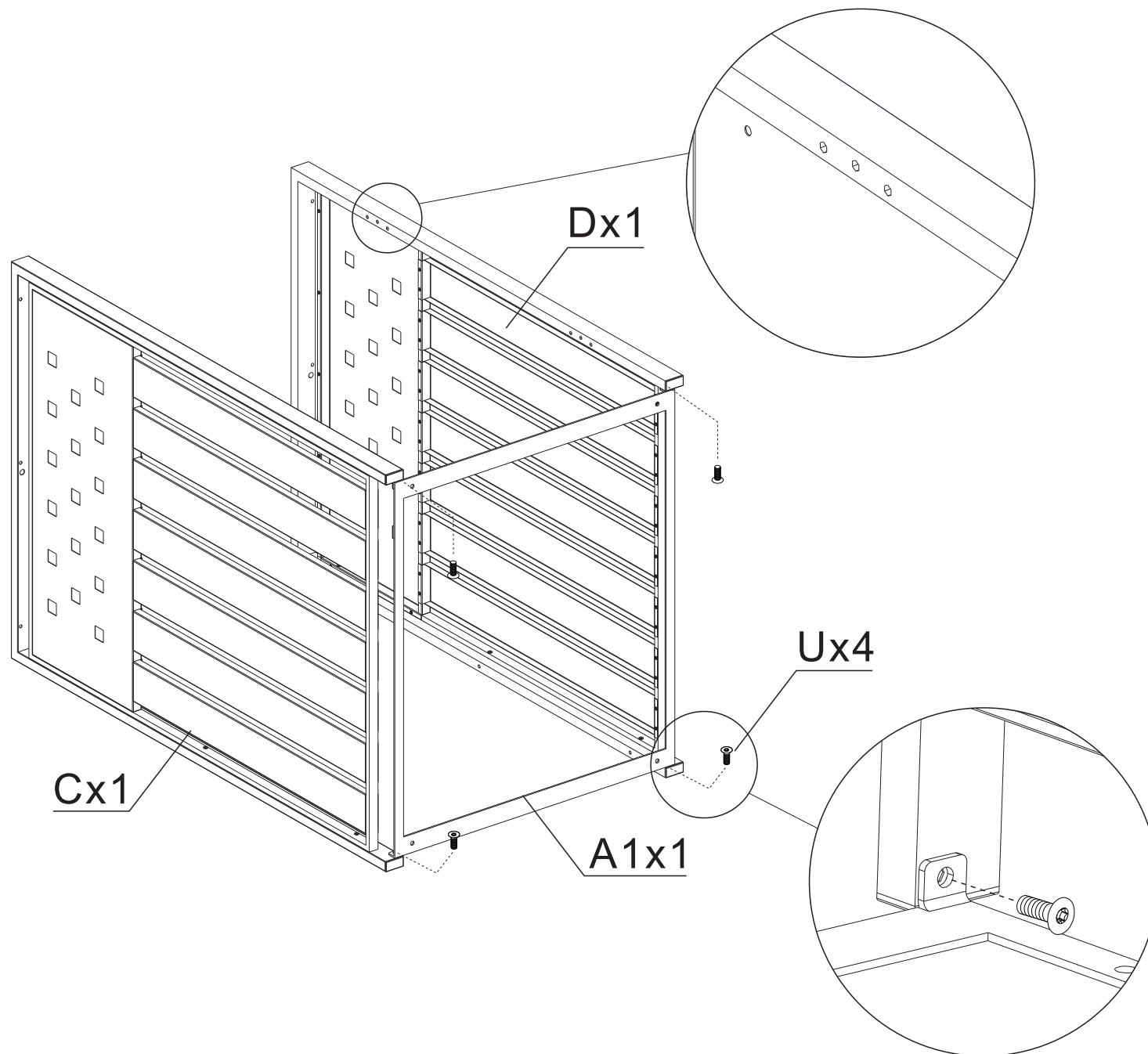
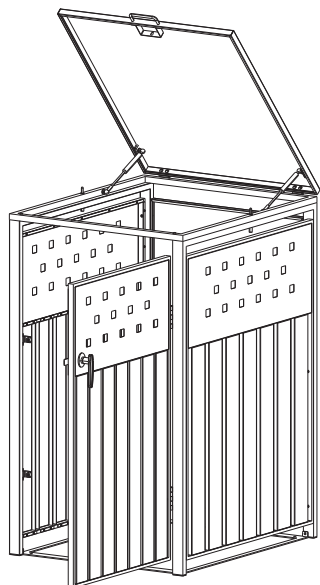
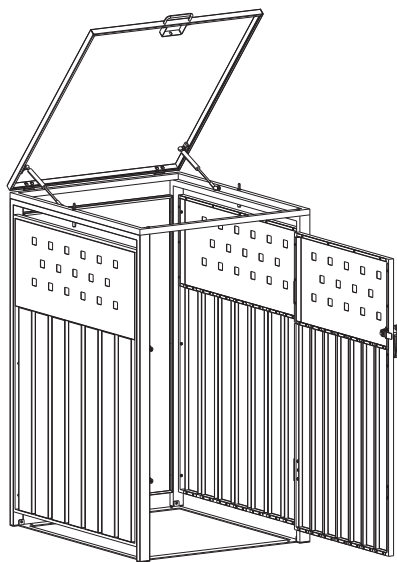
Schritt 1:



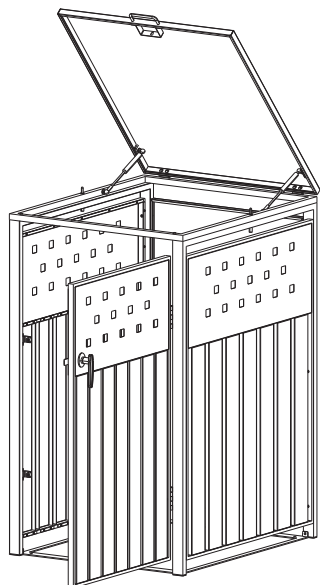
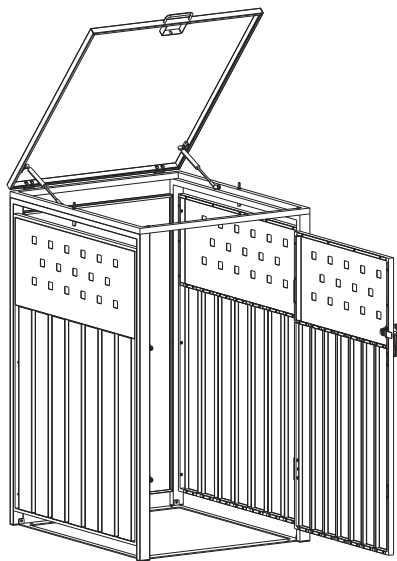
Schritt 2:



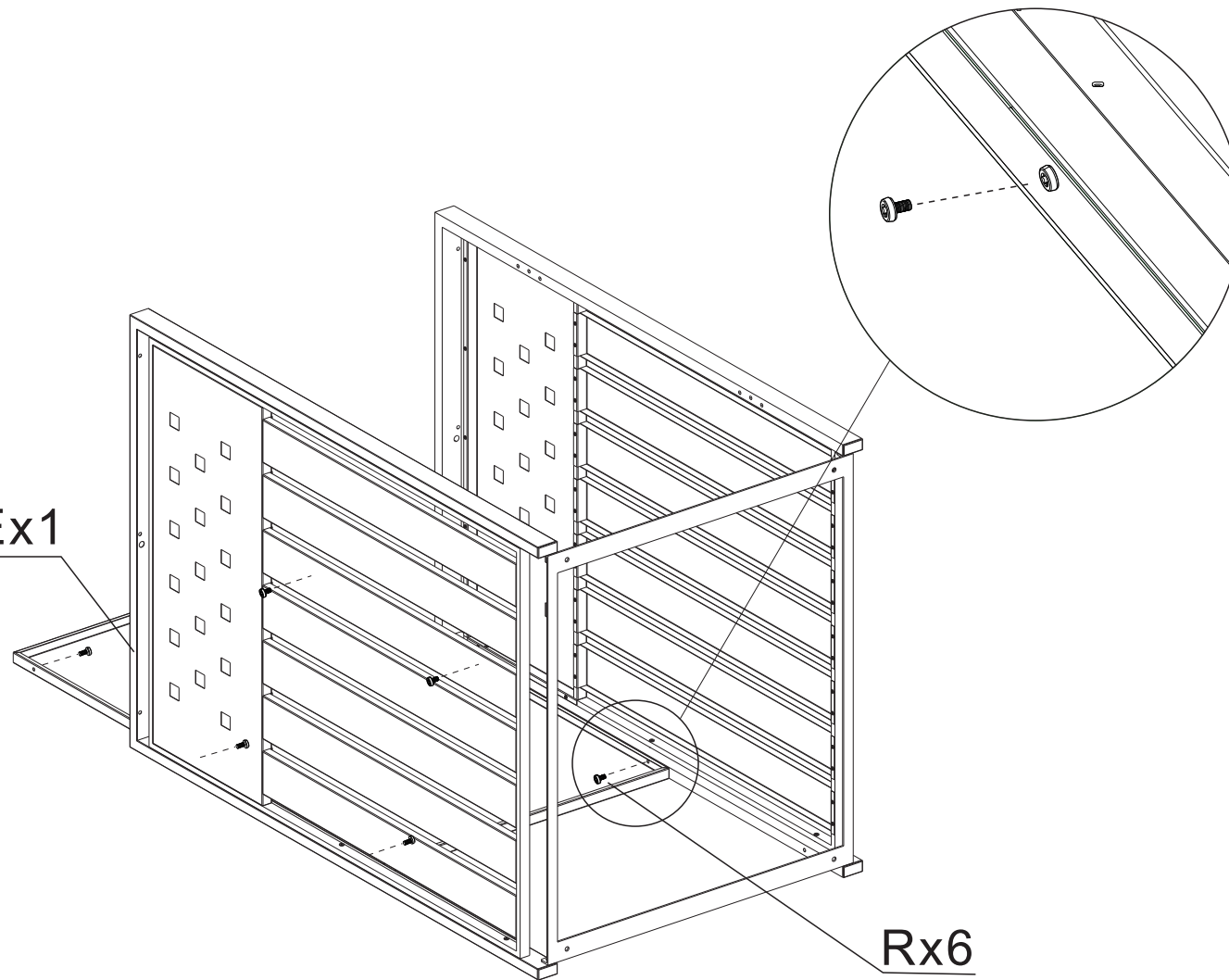
Schritt 3:



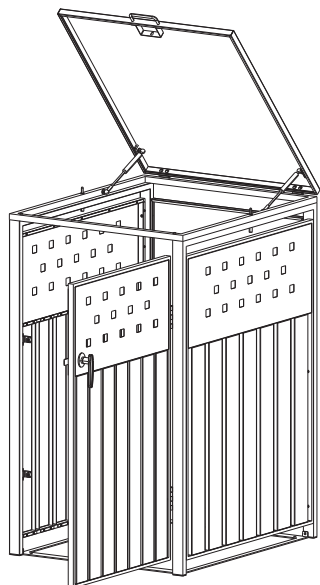
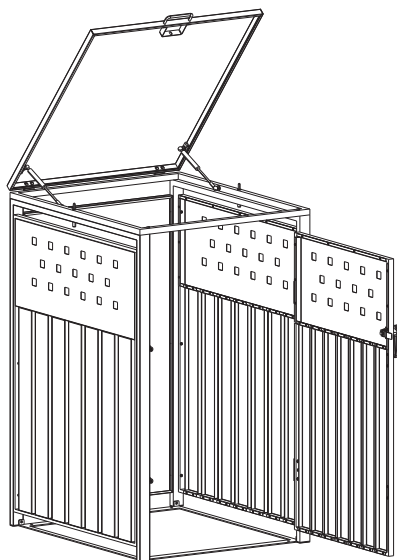
Schritt 4:



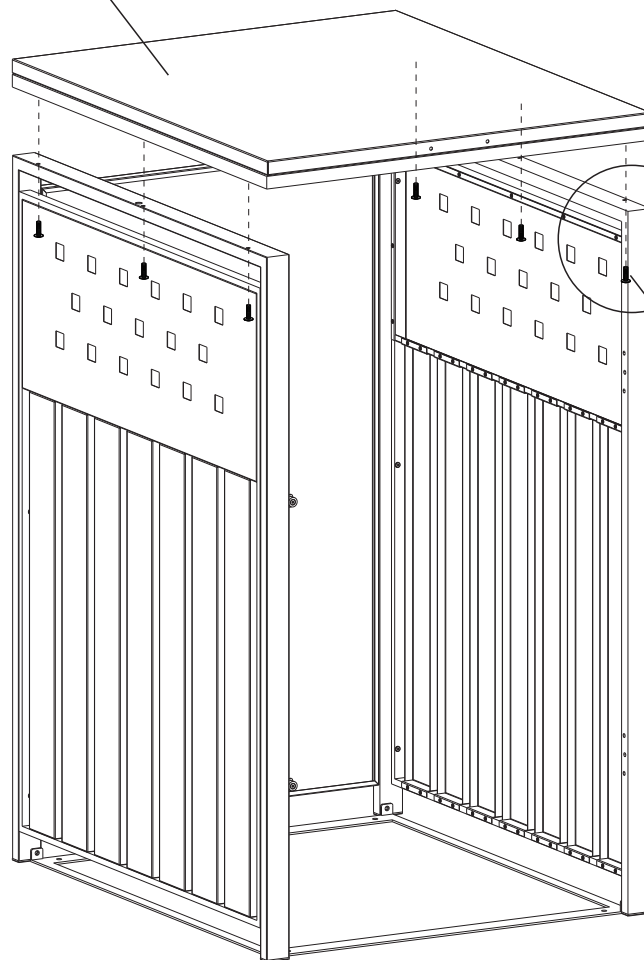
Ex1



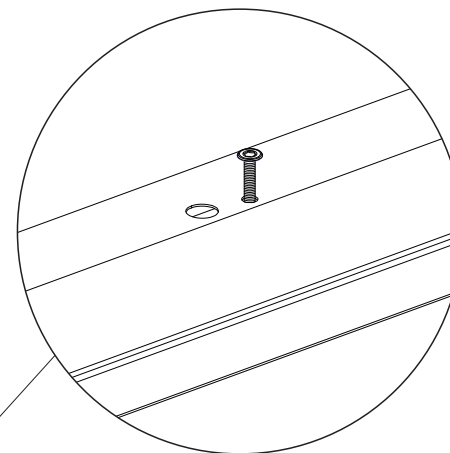
Schritt 5:



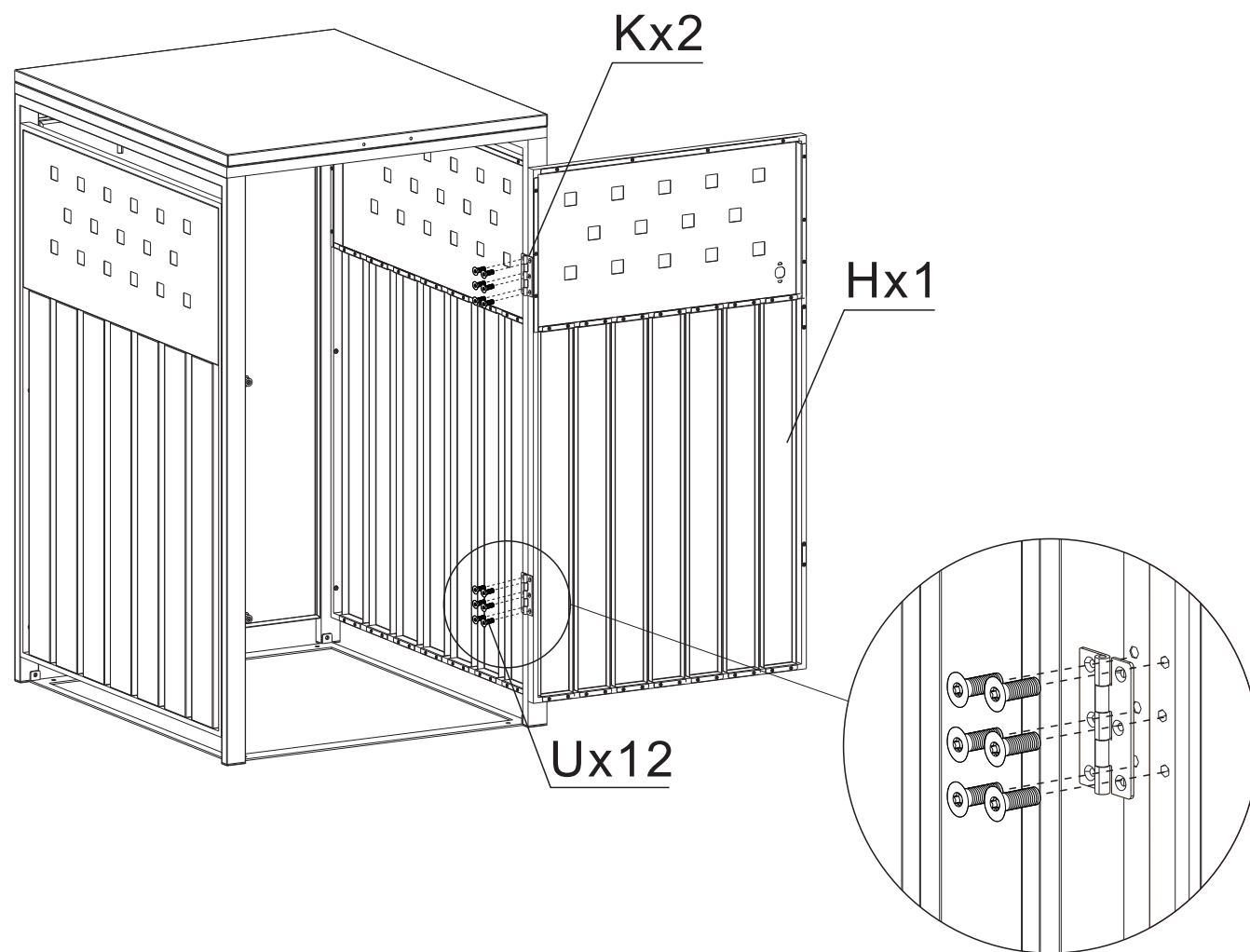
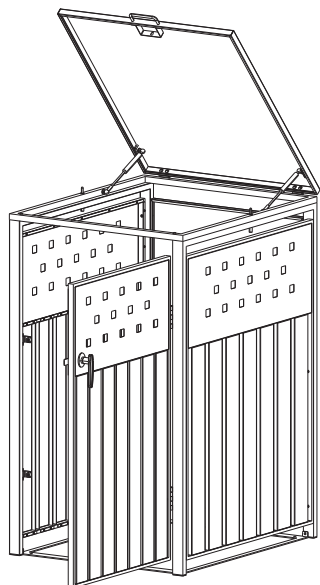
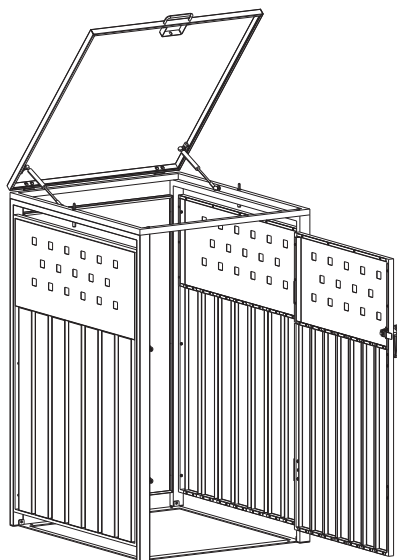
F1x1



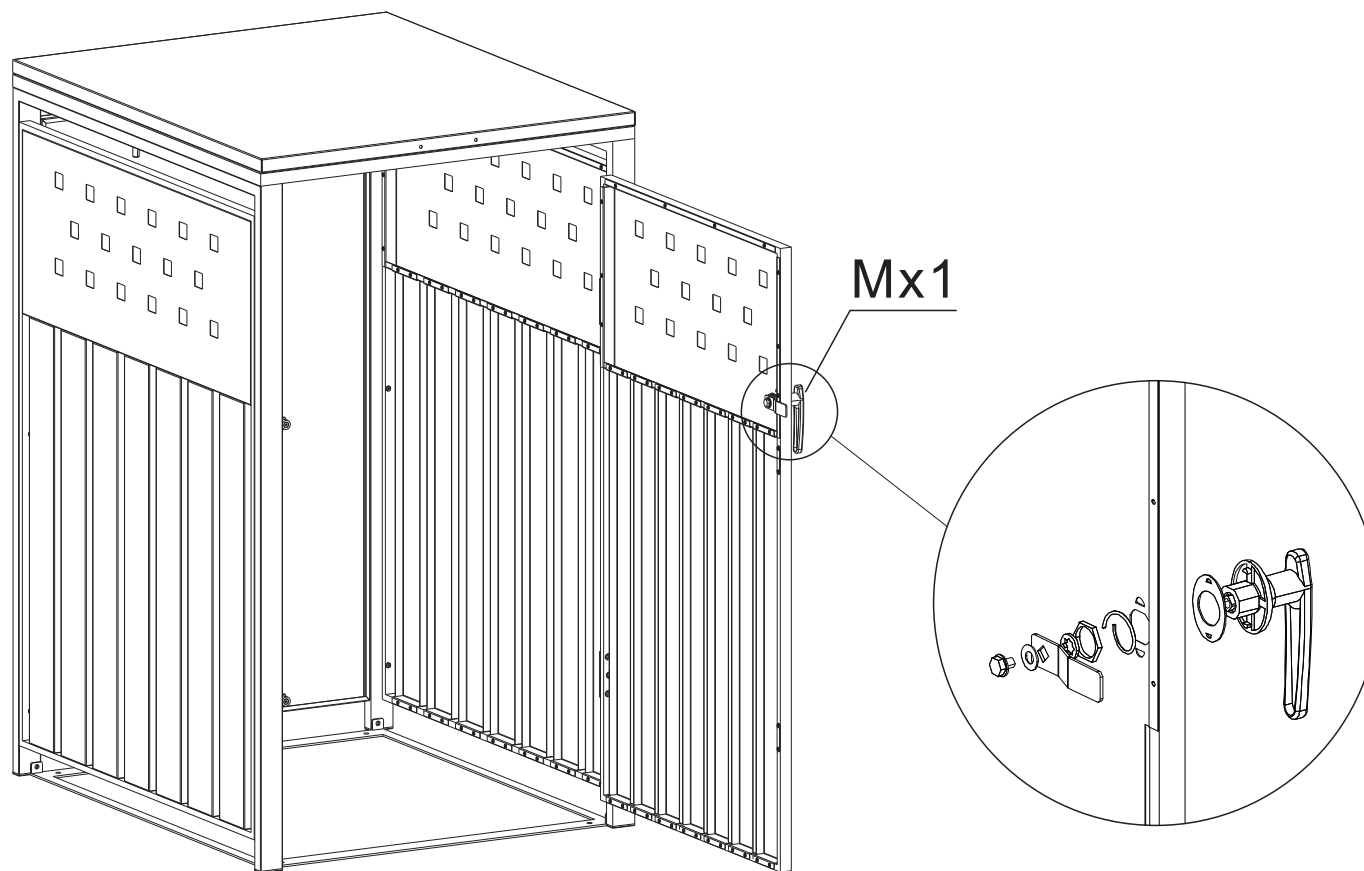
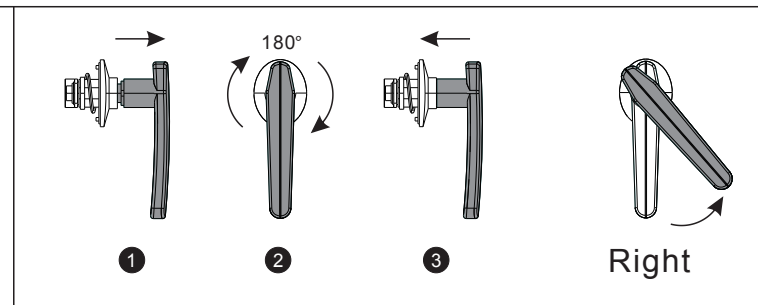
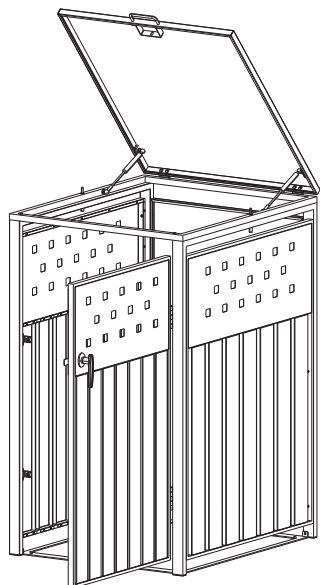
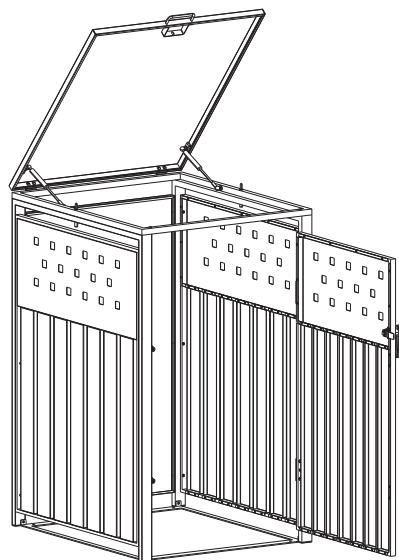
Tx6



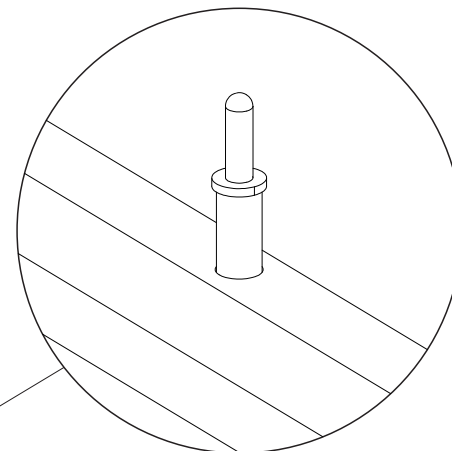
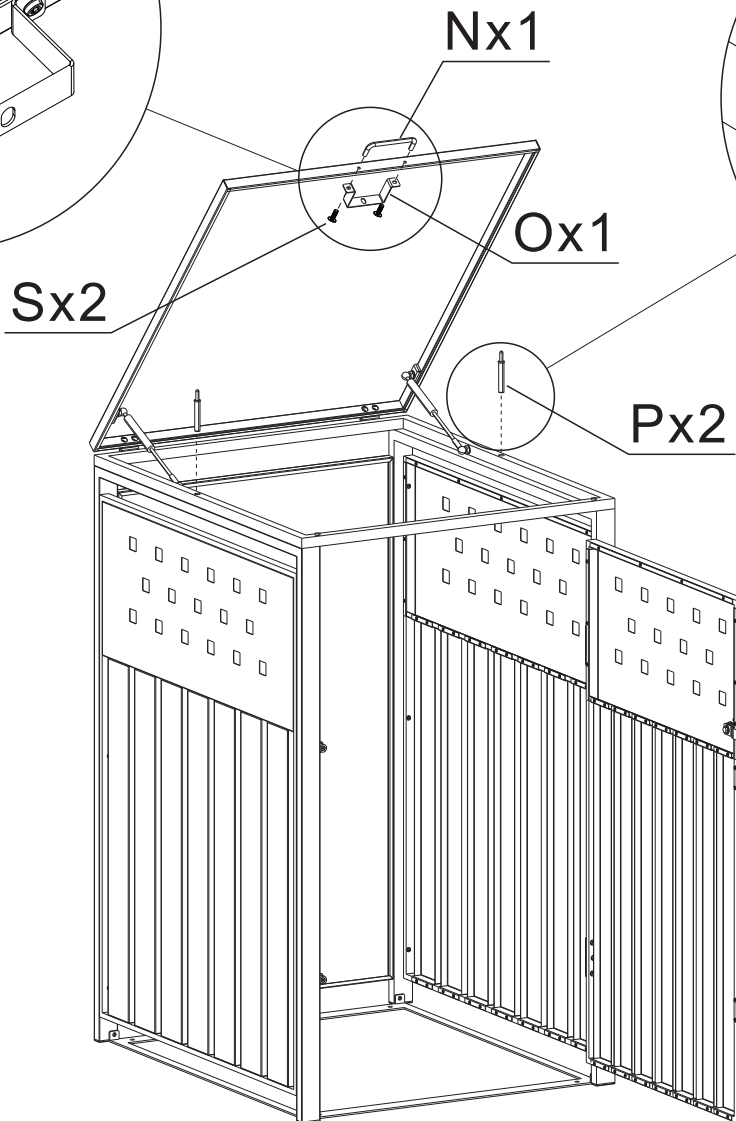
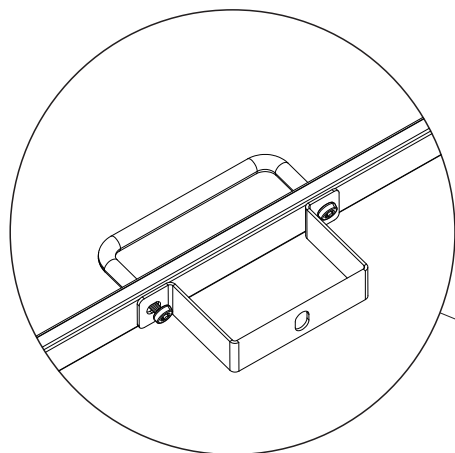
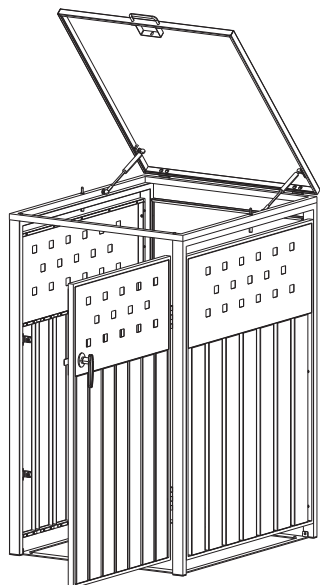
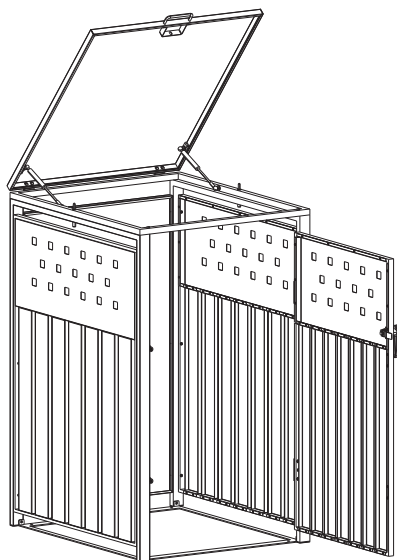
Schritt 6:



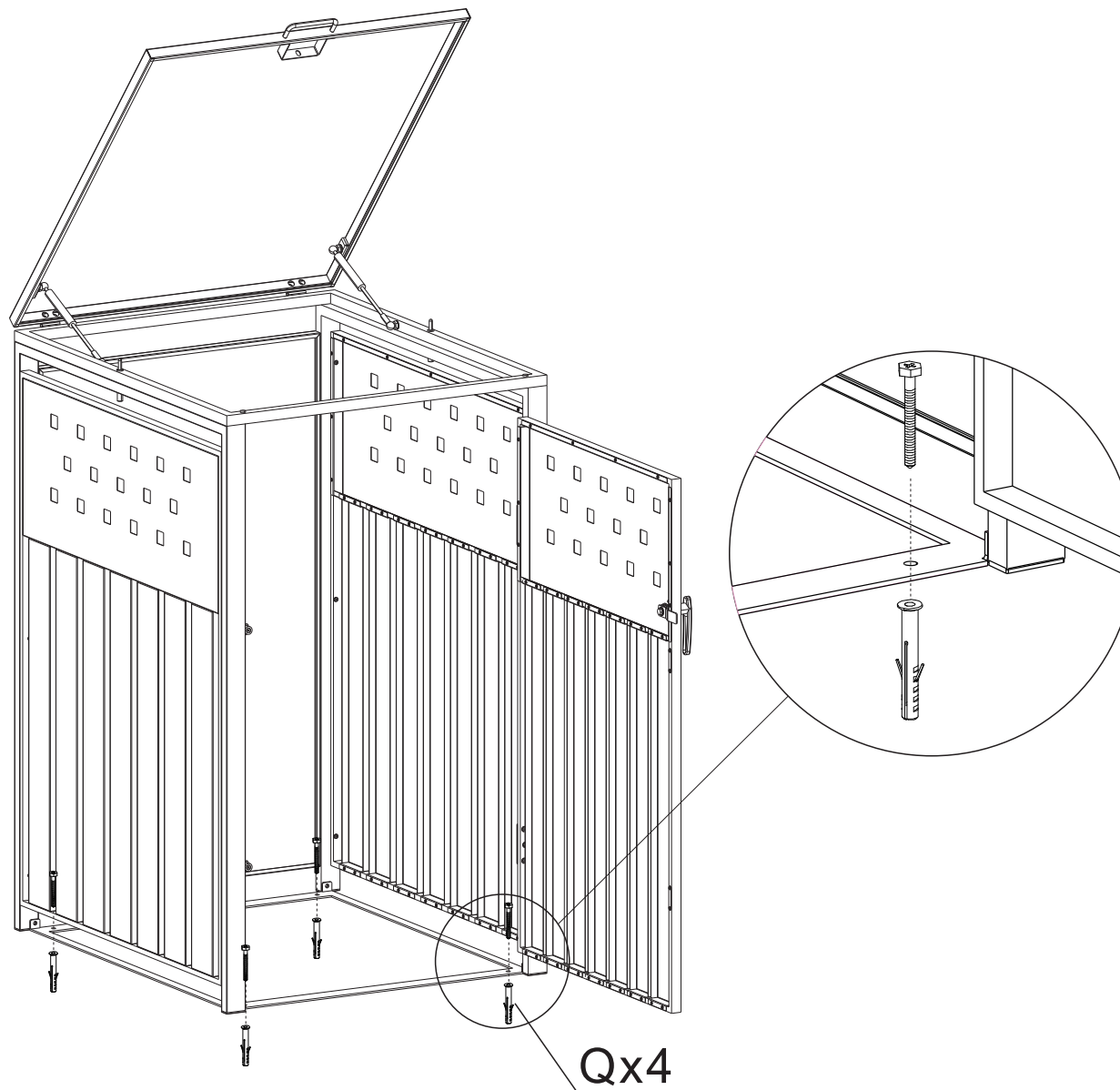
Schritt 7:



Schritt 8:



Schritt 9:



Schritt 10:

